

# T21 - 01 LED Rechargeable Work Light

Model No.  
T21 - 01 - 48W



**WARNING:** This product is not a toy. Keep out of reach of small children and pets.

At the end of its useful life the product should be disposed of appropriately.

## PRODUCT INSTRUCTIONS

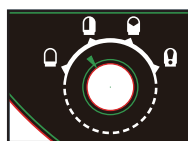
The T21 LED Work Light is a versatile workplace illumination unit with multiple functions: Portable | Energy saving | Built-in 18650 battery | No flickering.

\* Handle and pads for use as a hand-held portable unit.

\* 360° degree illumination provides thorough lighting for large areas.

\* High-efficiency LEDs draw little power, require no maintenance, and have a very long service life.

## MODE SETTINGS

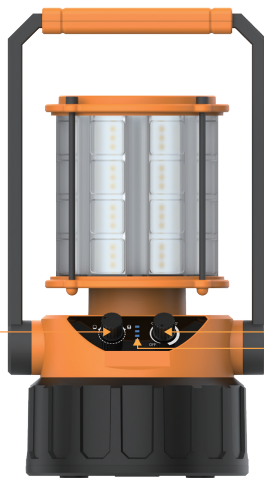


360° light on the sides of the device, no light on the top.

180° light on the side of the device, no light on the top.

Light on the top of the device, no light on the sides.

Light on the top of the device, flashing once every 0.4 seconds, no light on the sides.

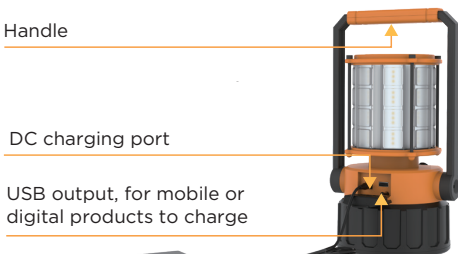


Dimming switch. Min is off, max is 100%.



Battery indicator, 25% per block.

Handle



DC charging port

USB output, for mobile or digital products to charge

Charger



## WARNING

High temperature with prolonged use

# T21 - 01 LED Rechargeable Work Light



**Cautionary Guidelines for Safe Use**  
Operating temperature -10°C to +40°C

Only use the original charger provided to charge the battery, and ensure that charging occurs under the recommended environmental conditions.

Do not disassemble the product without proper authorization. Unauthorized disassembly may compromise the safety mechanisms, potentially causing the battery to overheat, emit smoke, become deformed, or catch fire.

Avoid overcharging the battery, as irregular charging can result in overheating, smoke emission, deformation, or combustion.

Do not cut, bend, or otherwise damage the charger cable.



Certain components of this product may reach high temperatures during operation. Do not touch the light fixture while it is in use.

Do not expose the battery to water or immerse it in any liquid. Moisture can damage the internal protection circuitry and impair the battery's functionality.

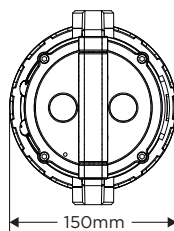
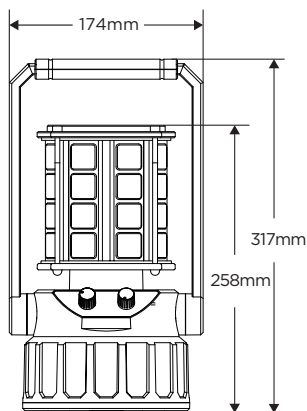
Exposure to water may lead to abnormal chemical reactions, which could cause the battery to overheat, emit smoke, deform, or catch fire.

If the battery exhibits signs of overheating, smoking, or spontaneous combustion, immediately move away from the product and seek assistance from qualified professionals.

In the event the battery is damaged and requires replacement, please contact the manufacturer. Do not attempt to use third-party or non-approved batteries.

## TECHNICAL DETAILS

Model No.	T21 - 01 - 48W
Power	48W +/-10%
LED Chip	Philips 2835
CCT	3000-5700K
CRI	>80
Lumen	Mode 1 : 4000lm +/-10% Mode 2 : 2000lm +/-10% Mode 3 : 800lm +/-10%
Voltage	100-240VAC 50/60Hz
Size mm	174 x 317MM
Operating Temp.	-10°C-40°C
Certification	FCC CE CUL UL ROHS
Battery Capacity	14.8V/7800mAh
USB Output	5V / 2A
Warranty	Light: 2 years Battery: 1 year
Recommended charging time	8H
IP level	IP44



## WARRANTY INFORMATION

We warrant the product against defects in materials and workmanship, under ordinary consumer use, on delivery and for a period of 24 months from the date of delivery. The warranty does not cover damage caused by human factors, accident, misuse of the product, unauthorized alteration to or change of parts or components of the product, act of God or problems of power supply. No warranty is offered for products which have gone beyond the period of warranty. If the product proves defective during the warranty period, we will ask you to follow the instructions for returning the product that we will provide you with, and we will take one of the following actions: (1) Replace the product with one that is the same or equivalent to the product you purchased; (2) Repair the product; (3) Refund to you the whole of or part of the purchase price of the product. Due to product advancement and product availability, the replacement product may differ slightly and may have a lower selling price from the original product you purchased.

**WHI Safeguard Limited**  
10 Hagley Road, Stourbridge,  
West Midlands, DY8 1PS.  
sales@whisafeguard.com

**MADE IN CHINA**

