



T19 - 07 LED STRING LIGHTS

100 / 50 Watt



Strong, Durable



Life Expectancy-



IP 65

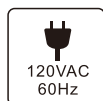
Up to 50,000 hrs



Omni-Directional



Lightweight



Linkable Units

T19 - 07 (10W x 5)

5 x Lights - Linkable to six more sets

T19 - 07 (10W x 10)

10 x Lights - Linkable to three more sets



IP67 - 110v Plug & Adaptor

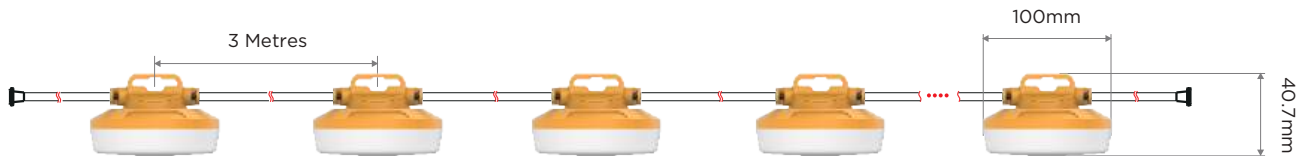
Dimensions

T19 - 07 - 50W (5)

15 Metres

T19 - 07 - 100W (10)

30 Metres



Specification

Power	LED Qty	PF	CRI	Voltage	CCT	Lumen	Size	Operating Temp.	Beamangle	Weight	IP degree	Equal to
50W	28 x 5 LED PHILIPS 2835	≥0.9	≥80	120v AC 50 - 60 Hz	2700-6000k	1100 x 5 +/- 10%	100 x 40.7mm	-15 to 45°C	360°	G.W. 2.3 KG	IP65	40W*5 Incandescent bulb
100W	28 x 10 LED PHILIPS 2835	≥0.9	≥80	120v AC 50 - 60 Hz	2700-6000k	1100 x 10 +/- 10%	100 x 40.7mm	-15 to 45°C	360°	G.W. 4.6 KG	IP65	40W*10 Incandescent bulb

Old & New

REPLACING



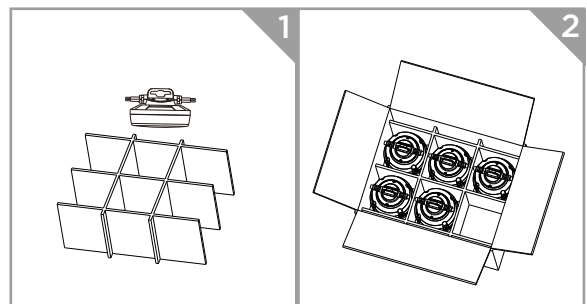


Applications



Packing Info

Power	Dimensions	G.W.	Lights per Box
50W	360mm x 250mm x 155mm	2.15 KG	5
100W	570mm x 250mm x 155mm	3.65 KG	10



WARNING

* PLEASE READ ALL INTRUCTIONS BEFORE USE *

* DO NOT TAMPER WITH LIGHT HOUSINGS *

* RISK OF ELECTRIC SHOCK *

www.whisafeguard.com

WHI SAFE[®]
GUARD

Please contact us on:
T. +44 (0) 1753 325 101
or : info@whisafeguard.com